

HEADQUARTERS

FAAC SpA
Via Calari, 10 – 40069 Zola Predosa (BO) – Italy
Tel. +39 05161724
Fax +39 051 758518
www.faacgroup.com – info@faac.it

FAAC SUBSIDIARIES

FAAC AG
Tel. +41 52 3461721
Fax +41 52 3461723
Illnau, Switzerland
www.faac.ch

FAAC FRANCE
Tel. +33 472218700
Fax +33 472218701
Corbas, France
www.faac.fr

FAAC GMBH
Tel. +49 8654 49810
Fax +49 8654 498125
Freilassing, Germany
www.faac.de

FAAC MIDDLE EAST
Dubai, Emirati Arabi
www.faac.ae
info@faac.ae

F.A.A.C. SA
Tel +34 91 6613112
Fax +34 91 6610050
Madrid, España
www.faac.es

FAAC UK LTD.
Tel +44 1256 318100
Fax +44 1256 318101
Basingstoke, Hampshire UK
www.faac.co.uk

FAAC AUSTRALIA PTY LTD
Tel. +61 2 7565644
Fax +61 2 87565677
Homebush – Sydney, Australia
www.faac.com.au

FAAC NORD
Tel. +33 1 69191620
Fax +33 1 69536069
Massy, France
www.faac.fr

FAAC INDIA PVT. LTD
Tel. +91 120 3934100/4199
Fax +91 120 4212132
Noida – Delhi, India
www.faacindia.com

FAAC POLSKA SP.ZO.O.
Tel. +48 22 8141125
Fax +48 22 8142024
Warszawa, Polska
www.faac.pl

F.A.A.C. SA Delegación Cataluña
Tel. +34 93 4362000
Fax +34 93 5727994/4368225
Barcelona, España
www.faac.es

FAAC BENELUX
Tel. +32 50 320202
Fax +32 50 32024215
Brugge, Belgium
www.faac.be

FAAC G.E.S. M.B.H.
Tel. +43 662 8533950
Fax +43 662 85339520
Wals-Siezenheim, Austria
www.faac.at

FAAC INTERNATIONAL INC.
Tel. +1 307 6351991
Fax +1 307 6328148
Cheyenne, USA
www.faacusa.com

FAAC SCANDINAVIA AB
Tel. +46 36 3768660
Fax +46 36 370780
Bankeryd, Sweden
www.faac.se

FAAC SHANGHAI
Tel. +86 21 68182970
Fax +86 21 68182968
Shanghai, China
www.faac.com.cn



740

Gearmotor for sliding gates

FAAC

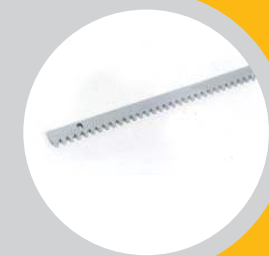


FOR SLIDING GATES UP TO 500KG (740) AND 900KG (741)

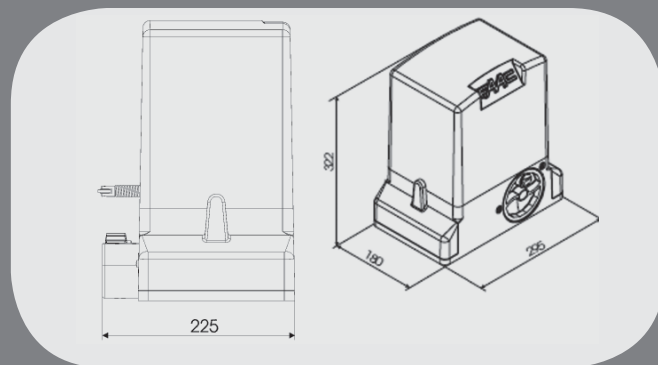
- Ideal for cost effective applications
- All models have a limit switch and fully adjustable base plate attached to the unit - ensuring straightforward alignment during installation
- Convenient manual release
- Self locking is a feature of the gear mechanism



inbuilt control board



galvanised racking



Dimensions of unit

TECHNICAL SPECIFICATIONS 740

	740 E Z16	741 E Z16
Power supply	230 V (+6%-10%) 50 (60) Hz	
Absorbed power	350 W	500W
Absorbed current	3.5A	2.5A
Traction and thrust force	45 daN	65 daN
Motor rotation speed	1400 rpm	1400 rpm
Thermal protection on motor winding	140°C	
Reduction ratio	1:25	
Leaf max weight	500kg	900kg
Sliding speed	12 m/min (pinion Z16)	
Operating ambient temperature	-20°C to +55°C	
Protection class	IP44	
Dimensions (L x D x H) in mm	295 x 225 x 325 (pinion included)	